

4

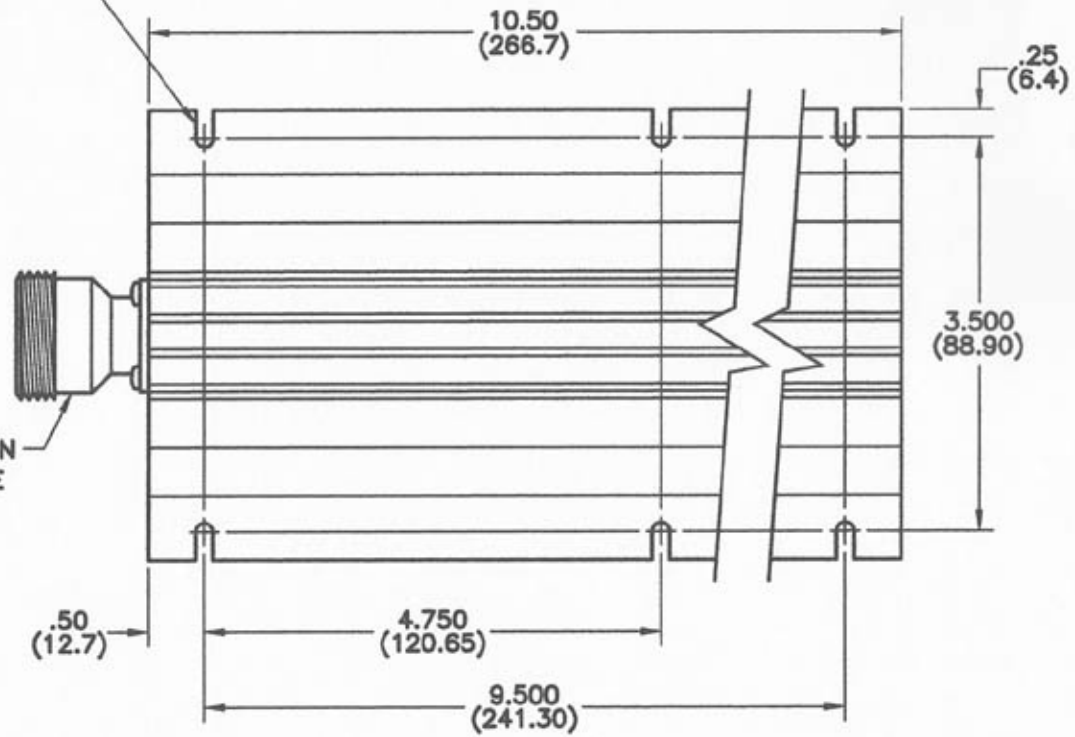
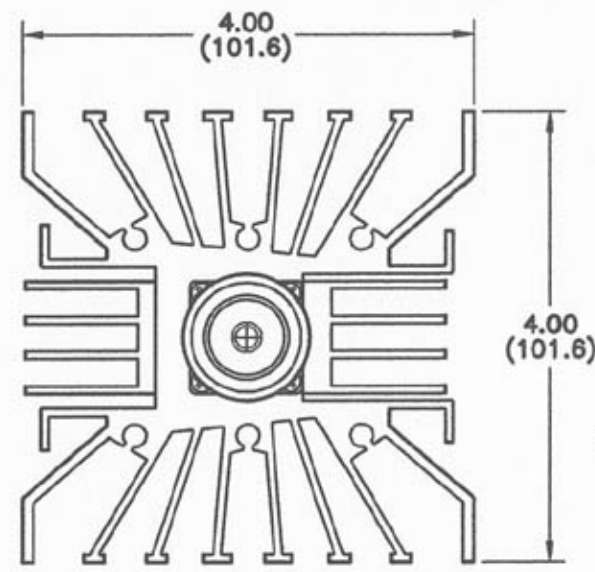
3

2

1

REVISIONS				
REV	ZONE	DESCRIPTION	DATE	BY ECO

.156(3.96) WIDE SLOT  
6 PLACES, TOP & BOTTOM



7/16 DIN  
FEMALE

### SPECIFICATIONS

- FREQUENCY RANGE - DC TO 6.0 GHz
- IMPEDANCE - 50 OHMS
- VSWR (DC - 2.0 GHz) - 1.20:1
- (2.0 - 4.0 GHz) - 1.35:1
- (4.0 - 6.0 GHz) - 1.40:1
- INPUT POWER (AVG.) - 300 WATTS
- (PEAK) - 2000 WATTS
- OPERATING TEMPERATURE - -55°C TO +125°C
- CONNECTOR TYPES - TYPE N, TNC, 7/16 DIN, PLUG OR JACK  
(7/16 DIN FEMALE SHOWN)
- WEIGHT - ~ 6.5 lbs

DIMENSIONS: INCHES  
(MILLIMETERS)

TOLERANCES		THE INFORMATION CONTAINED IN THIS DOCUMENT IS THE PROPERTY OF MICROWAVE DEVICES, INC. AND IS PROPRIETARY. IF IS NOT TO BE COPIED OR USED FOR ANY PURPOSE OTHER THAN AS INSTRUCTED, IN WRITING, BY MICROWAVE DEVICES, INC.
DEC.XX ± .05	FRNC ±	
.XXX ± .010	ANG ±	
MATERIAL		
SIGNATURES		DATE
FINISH	DR G.V.Cothren	12-2-08
CHK		
APPD		
APPD		

**Microwave Devices**  
(RF and Microwave Components)

OUTLINE, TERMINATION,  
MODEL 6300-7F-6

CAGE	SIZE	DRAWING NO.
60674	B	900773-1
DRAWING SCALE 1:1		SHEET 1 OF 1

CONTACT: MICROWAVE DEVICES - 1150 N. GRAHAM RD.  
(317) 758-8833 FRANKLIN, IN 46131

DIMENSIONS ARE IN INCHES UNLESS OTHERWISE SPECIFIED.

4

3

2

1